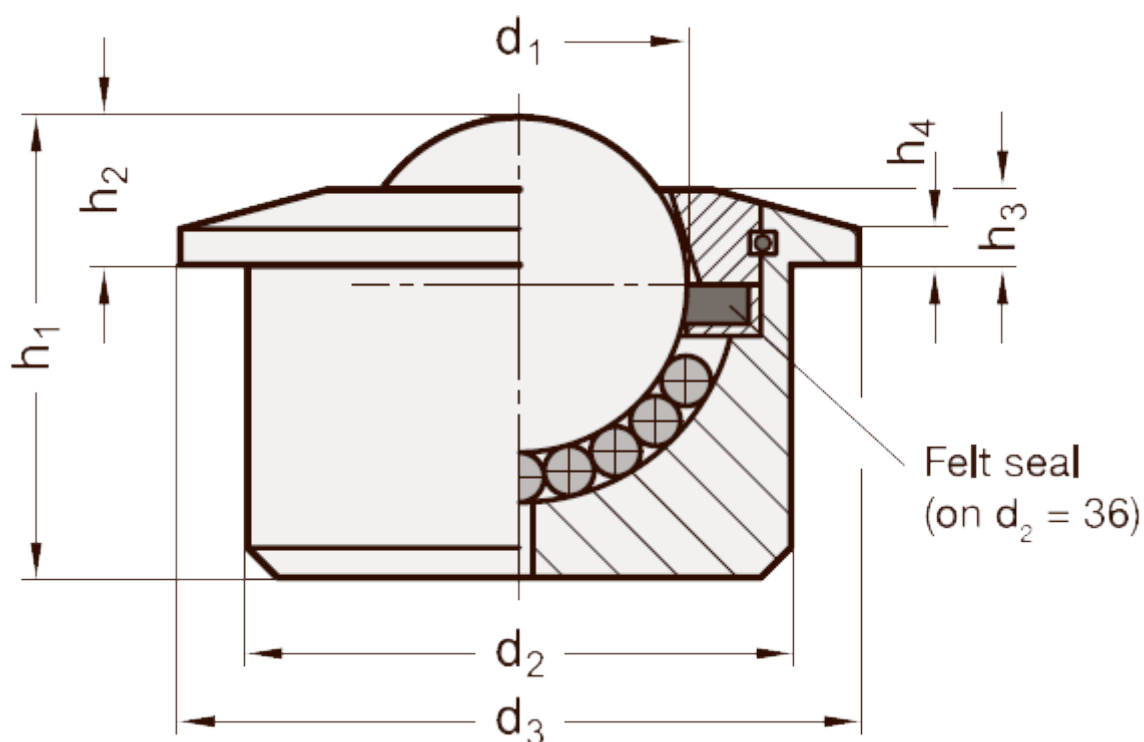


Article number: 20607011

Description: E+G Ball transfer unit
GN 509.1-12-SBL

Measures



d_1	= 12.7	Size	= 12
$d_2 \pm 0.08$	= 22	Weight in (g)	= 35
d_3	= 27		
$h_1 \pm 0.3$	= 17		
$h_2 \pm 0.3$	= 8		
$h_3 \pm 0.3$	= 4		
h_4	= 3.2		
Max load (N)	= 200		